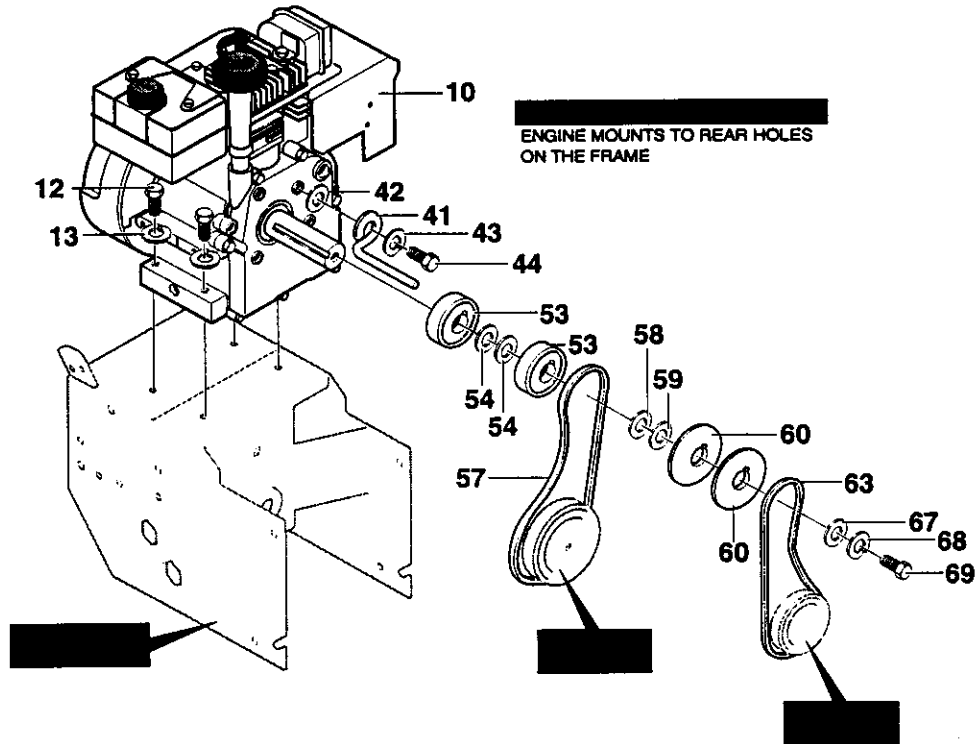


ENGINE ASSEMBLY



ELECTRIC STARTER KIT 996 50 65-15 (12V)
 531 00 65-34 (220V)

All unnumbered items are interchangeable with opposite side

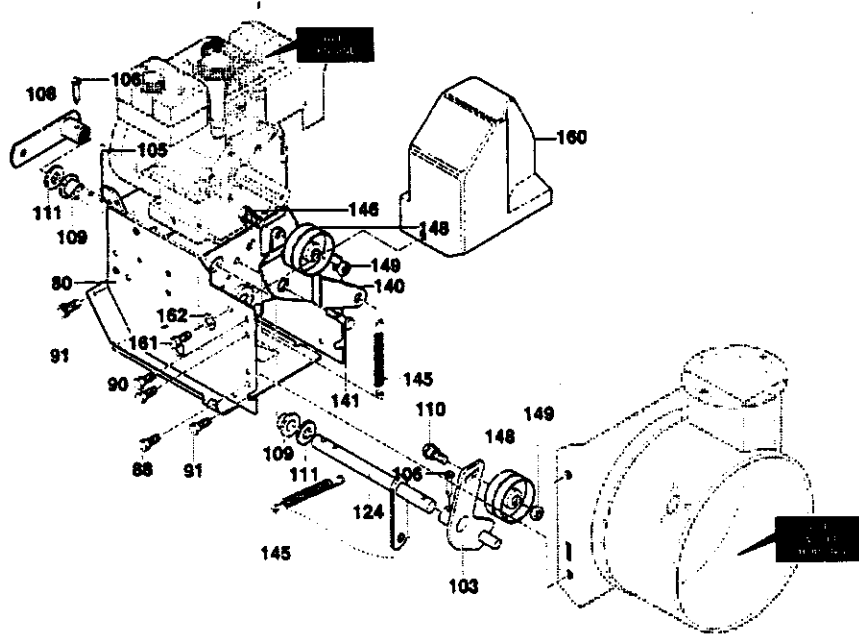
Note: Always use original equipment parts. Use of service/replacement parts other than original parts may void your warranty.

REF NO.	PART NO.	PART NAME
10	-	ENGINE, 8HP (See Engine Manual)
12	5330095-53	SCREW, 5/16-18
13	8100405-00	WASHER, HVSPTLK
41	5330039-49	GUIDE, ROD BELT RH
42	5330067-11	PLASTIC WASHER
43	8100405-00	WASHER, .328X.60X.09
44	5339108-28	SCREW, 5/16-24X 1.00
53	5335798-54	PULLEY, HALF
54	5335798-61	WASHER, FLAT .752 X .91 X .02

REF NO.	PART NO.	PART NAME
57	5335799-32	BELT, V 3L 33.13LG
58	5330738-40	FLATWASHER .765X1.12X.06
59	5335862-51	SPACER, SLEEVE
60	5335862-53	PULLEY, ENGINE
63	5335854-16	BELT, V 4L 38.1LG
67	5330505-77	WASHER, FLAT
68	5330710-63	WASHER, .393X.68X.10
69	5330710-15	SCREW, 3/8-24X1.00

319042G

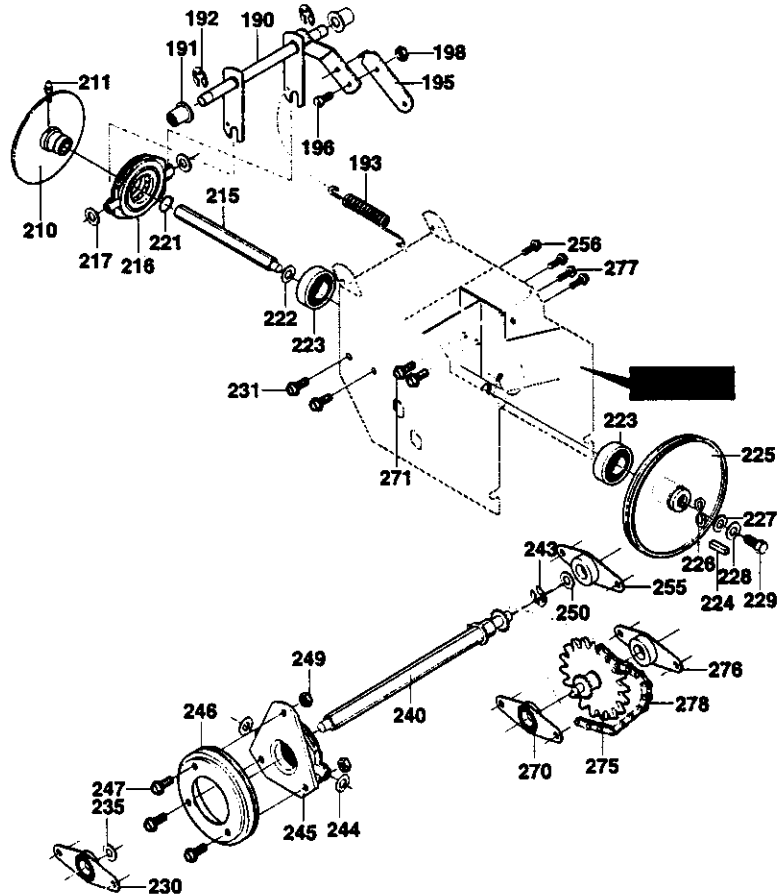
FRAME COMPONENTS ASSEMBLY



REF NO.	PART NO.	PART NAME
80	5337617-03	FRAME ASSY
88	5330709-92	SCREW, 5/16-18X .50
90	5335830-31	COVER, BOTTOM
91	5333101-69	SCREW, 1/4-20X .63
103	5337618-21	AUGER ENG. ASSY.
105	5337116-82	PIN, HAIR
106	5337617-61	PIN, KLIK 3/16" DIA
108	5337617-66	ASSY, SPRING ATTACH WHEEL
109	5330537-03	BEARING, FL
110	5335857-81	BOLT, 3/8-16X1.25 CARR
111	5337116-17	WASHER, FLAT
124	5337617-67	ASSY., BRAKE

REF NO.	PART NO.	PART NAME
140	5337617-01	LEVER, IDLER ARM TRACTION
141	5333299-89	BOLT, .625X.135 HSSH 5/16-18
145	5330537-04	IDLER SPRING TRACTION DRIVE
146	5331801-24	SCREW, 3/8-16X1.25
148	5330507-93	PULLEY, IDLER
149	5330005-90	NUT, 3/8-16
160	5335807-73	COVER, BELT
161	5333101-69	SCREW, 1/4-20X .63
162	5330710-67	FLATWASHER, .281X .63X.065

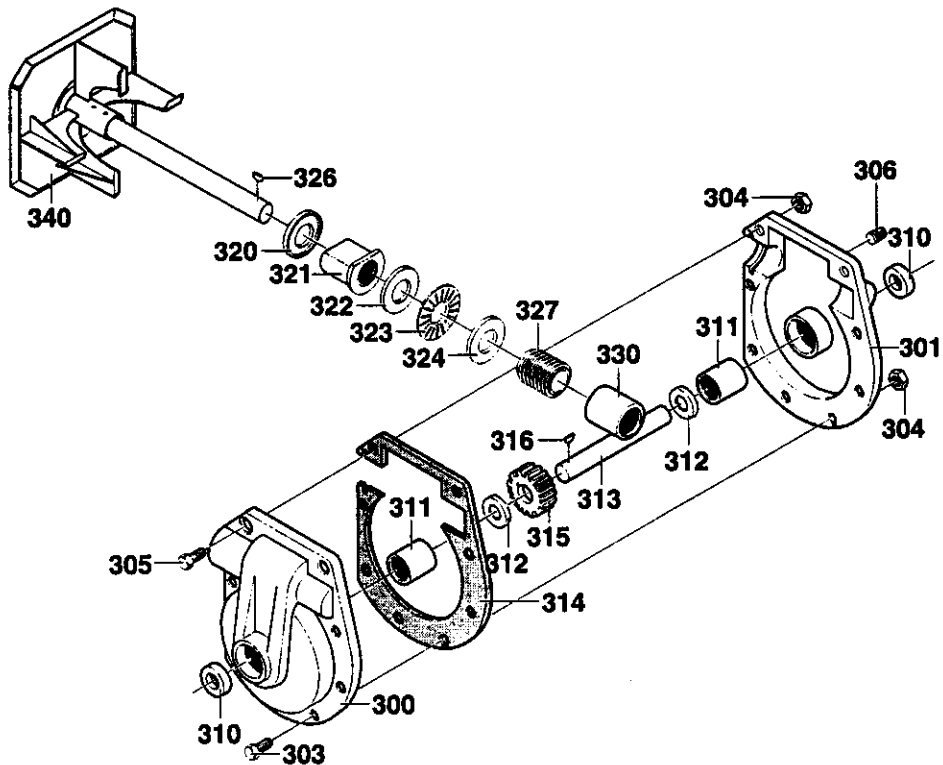
DRIVE COMPONENTS ASSEMBLY



REF NO.	PART NO.	PART NAME
190	5337618-20	LEVER, ASSY TRACTION CLUTCH
191	5330537-03	BEARING, FLANGE
192	5330208-84	PIN, COTTER
193	5330538-18	SPRING, RETURN
195	5335799-37	LEVER, SPRING
196	5330118-71	SCREW, 1/4-20X .63
198	5330738-26	NUT, 1/4-20 REGHEXCTRLK
210	5335831-63	DISC, ASSY
211	5335832-06	ZERK, GREASE
215	5335831-55	SHAFT, HEX TRACTION
216	5330855-01	BEARING, TRUNION
217	5330710-74	FLATWASHER, .53 X1.00X.063
221	5330738-11	RING, RETEX
222	5335809-69	FLATWASHER, .680X1.12X.060
223	5330438-48	BEARING, BALL
224	5335809-70	KEY, SQUARE
225	5335809-61	PULLEY, V3L 6.50X .56
226	5335809-65	WASHER, WAVE
227	5335789-62	FLATWASHER, .281X1.00X.063

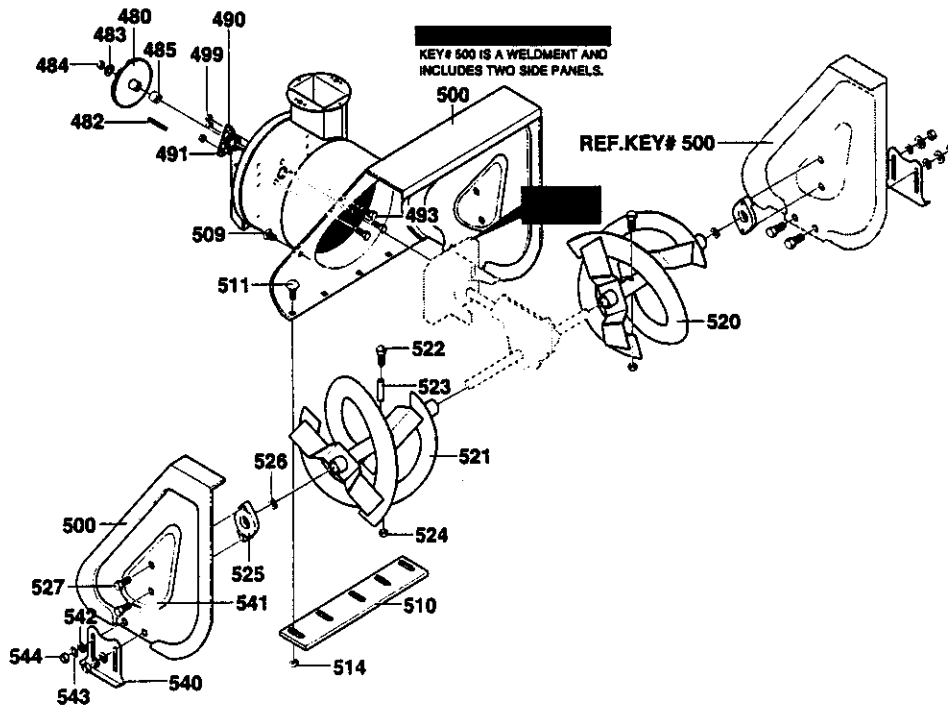
REF NO.	PART NO.	PART NAME
228	5330710-59	WASHER, SPLIT .26X.50X.06
229	5331800-20	SCREW, 1/4-20X .75 HHC
230	5333341-63	BEARING & RETAINER
231	5330709-82	SCREW, 5/16-18X .50
235	5335798-58	WASHER, .502X .75X.0605
240	5335798-97	HEX, ASSY#40-8T
243	5335356-48	RING, RETEX
244	5330710-74	FLATWASHER, .53 X1.00X.063
245	5333370-29	BEARING, TRUNION
246	5330538-30	WHEEL, ASSY FRICTION
247	5330118-71	SCREW, 1/4-20X .63
249	5333030-08	NUT, 1/4-20 HEXKEPS
250	5335798-58	WASHER, .502X .75X.0605
255	5333341-63	BEARING & RETAINER
256	5330709-82	SCREW, 5/16-18X .50
270	5333341-63	BEARING & RETAINER
271	5330709-82	SCREW, 5/16-18X .50
275	5337617-89	JACK, ASSY#41-36T&7T
276	5333341-63	BEARING & RETAINER
277	5330709-82	SCREW, 5/16-18X .50
278	5335798-67	CHAIN, ROLLER #42 X 40P

GEAR CASE ASSEMBLY



REF NO.	PART NO.	PART NAME	REF NO.	PART NO.	PART NAME
300	5330008-96	CASE, GEAR RH	316	5330739-05	KEY, WDRF #91
301	5330008-95	CASE, GEAR LH	320	5154537-37	RING, QUAD .924IDX.103WD
303	5339108-28	SCREW, 1/4-20X1.00	321	5335831-26	BEARING, FLANGE
304	5330711-00	NUT, 1/4-24	322	5330482-75	WASHER, FLAT .752X1.24X.093
305	5333304-34	SCREW, 5/16-24 X 1.50	323	5154506-84	BEARING, ROLL .750IDX1.24ODX.078
306	5154537-49	PIPE PLUG 1/4-18	324	5330482-75	WASHER, FLAT
310	5337801-51	SEAL, OIL	326	5330507-95	KEY, HI-PRO 606
311	5154537-43	BEARING, SLEEVE	327	5154537-32	WORM GEAR
312	5154537-48	WASHER, FLAT 1.00X1.54X.09	330	5330537-31	BEARING, SLEEVE
313	5337605-29	SHAFT, AUGER	340	5337616-92	IMPELLER, ASSY
314	5330008-97	GASKET, GEAR CASE			
315	5154537-30	WORM GEAR			

AUGER HOUSING ASSEMBLY

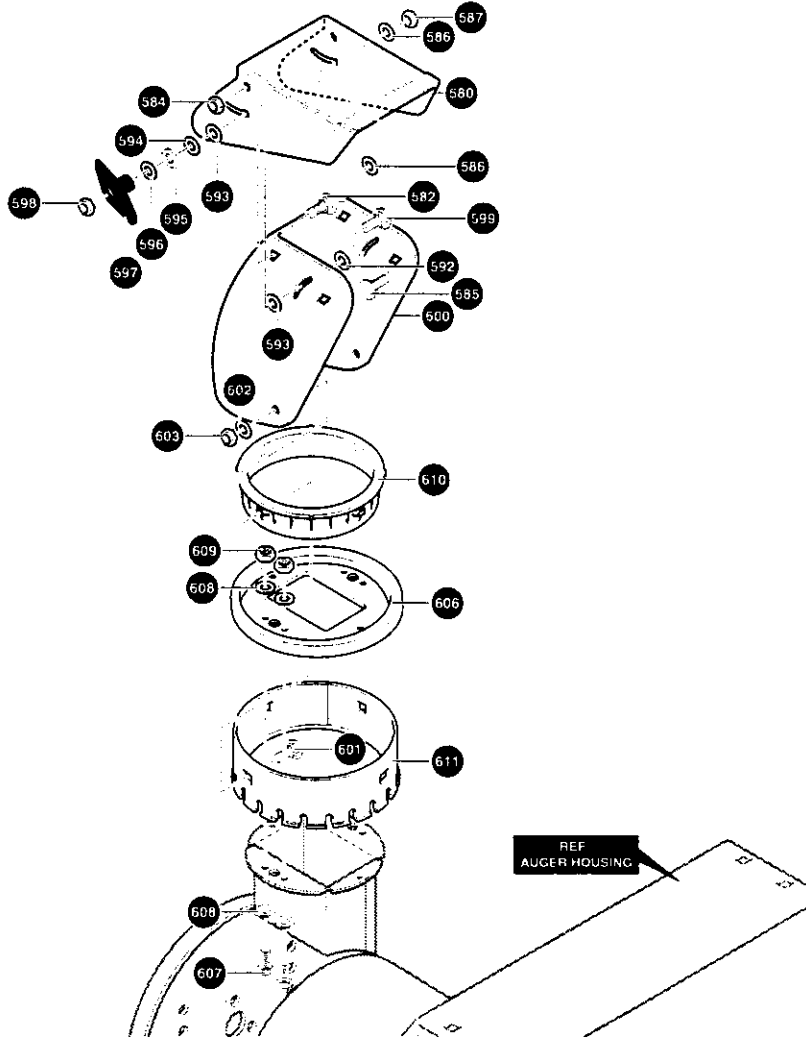


REF NO.	PART NO.	PART NAME
480	5335831-46	PULLEY, V4L
482	5330713-71	KEY, SQUARE
483	5330710-74	WASHER, FLAT .53 X 1.00 X .063
484	5330052-51	NUT, 1/2-20
485	5333345-14	SPACER, SLEEVE
490	5335829-60	RETAINER, BALL
491	5330438-46	BEARING, BALL
493	5331800-77	SCREW, 5/16-18X .75
499	8736805-00	NUT, 5/16-18
500	5337617-35	HOUSING, ASSY
509	5337600-40	PLUG
510	5337606-56	SCRAPER BLADE
511	5333407-20	BOLT, 1/4-20X.75CARR.
514	8736805-00	NUT, 5/16-18 WHIZ

REF NO.	PART NO.	PART NAME
520	5337606-07	AUGER, ASSY LH
521	5337606-08	AUGER, ASSY RH
522	5330095-24	SCREW, 1/4-20X1.75
523	5330039-43	SPACER, SLEEVE
524	5330738-26	NUT, 1/4-20 REGHXCTRLK
525	5330537-57	BEARING
526	5330737-55	WASHER, FLAT 1.005 X 1.31X.035
527	5330709-84	SCREW, 5/16-18X .75
540	5330506-43	SKID, HEIGHT ADJUST
541	5333407-20	BOLT, 5/16-18X .75 CARR
542	7341162-71	FLATWASHER .344X .69X.065
543	8100405-00	WASHER, .328X.60X.09
544	8736805-00	NUT, 5/16-18 REGHEX

339874M

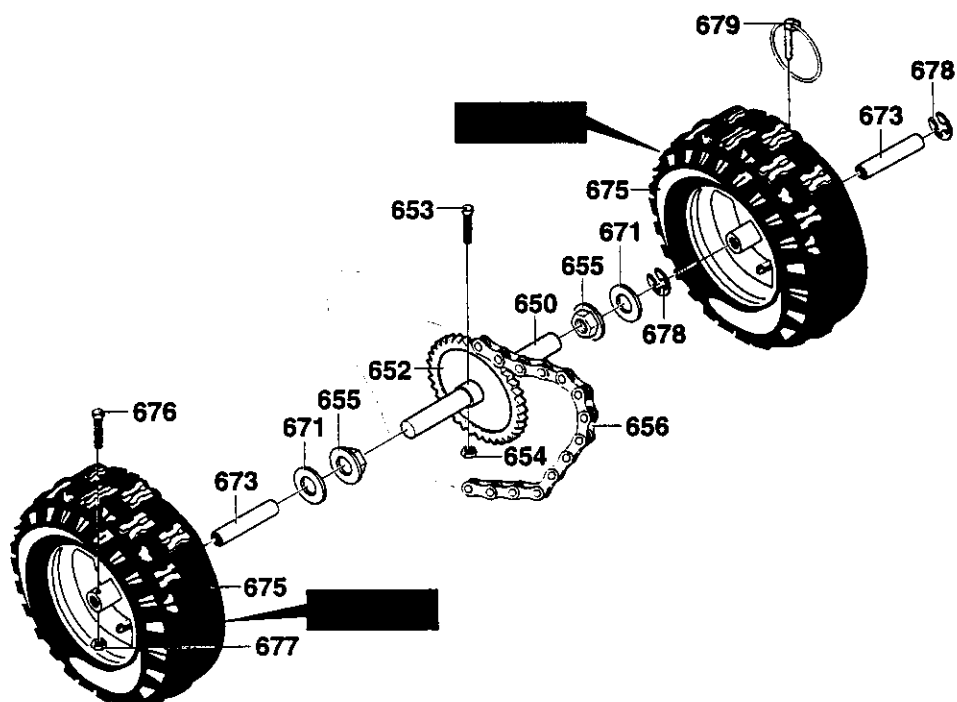
DISCHARGE CHUTE ASSEMBLY



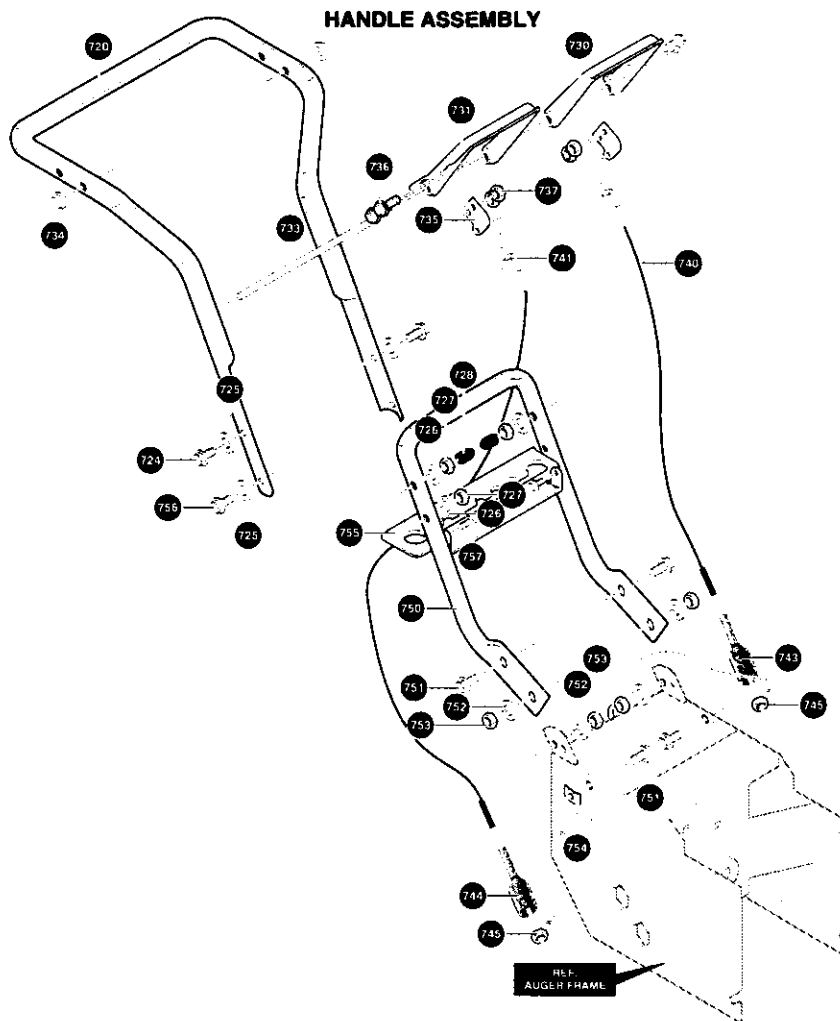
REF NO.	PART NO.	PART NAME
580	5337610-70	UPPER CHUTE
582	5335780-88	SCREW, 5/16-18X .75
584	5330710-38	NUT, 5/16-18 NYLON
585	5335780-88	SCREW, 5/16-18X .75
586	5330067-11	PLASTIC WASHER
587	5330710-38	NUT, 5/16-18 NYLON
592	5330120-21	PLASTIC WASHER
593	5330067-11	PLASTIC WASHER
594	7341162-71	WASHER, FLAT
595	8100405-00	WASHER, SPLIT LOCK
596	7341162-71	WASHER, FLAT
597	5330135-27	KNOB, T
598	8736805-00	NUT, 5/16-18 REGHEX

REF NO.	PART NO.	PART NAME
599	5330033-16	BOLT 5/16-18X1.00 CARR
600	5337613-28	CHUTE, LOWER
601	5335862-80	BOLT, 5/16-18X1.00
602	7341162-71	FLATWASHER .344X .69X.065
603	5330710-38	NUT, 5/16-18
606	5335852-14	COLLAR, CHUTE
607	5335790-52	SCREW, 1/4-20X .75
608	5330710-67	FLATWASHER .281X .63X.065
609	5330738-26	NUT, 1/4-20
610	5333372-27	RETAINER, RING INNER
611	5335851-93	RETAINER, RING OUTER

WHEELS ASSEMBLY



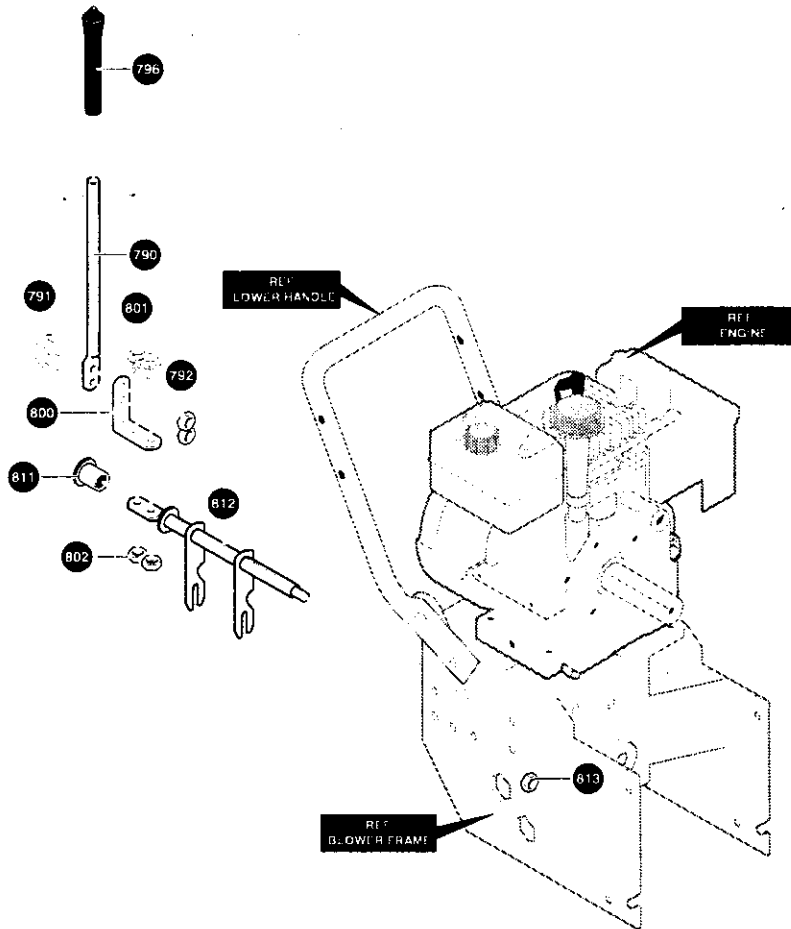
REF NO.	PART NO.	PART NAME
650	5335830-17	SHAFT, AXLE
652	5335830-07	SPRKT & HUB
653	5330738-39	SCREW, 1/4-20X2.25
654	5330710-35	NUT, 1/4-20
655	5335817-30	BRNG, FLANGE
656	5335830-13	CHAIN, ROLLER
671	5330061-04	FLATWASHER .765X1.12X.06
673	5335855-91	BUSHING, WHEEL
675	5335803-62	TIRE & RIM
676	5335770-15	SCREW, 1/4-20X1.75 HH
677	5330738-26	NUT, 1/4-20 REGHXCTRLK
678	5330002-39	RING, RET
679	5330738-42	PIN, KLIK .25 X 1.38 DIA



REF NO.	PART NO.	PART NAME
720	5338358-30	HANDLE, UPPER
724	5330112-34	SCREW, 5/16-18X2.75
725	7341162-71	WASHER, FLAT
726	8100405-00	WASHER, .328X.60X.09
727	8736805-00	NUT, 5/16-18 REGHEX
728	5330112-61	STOP, RED PLASTIC
730	5330110-35	BAIL, LEVER, HANDLE LH
731	5330110-36	BAIL, LEVER, HANDLE RH
733	5300110-41	PIVOT ROD
734	5330035-35	NUT, PUSH ON CAP
735	5333026-20	PLATE, CABLE PIVOT
736	5331800-21	SCREW, 1/4-20 X .88
737	5330738-26	NUT, 1/2-20

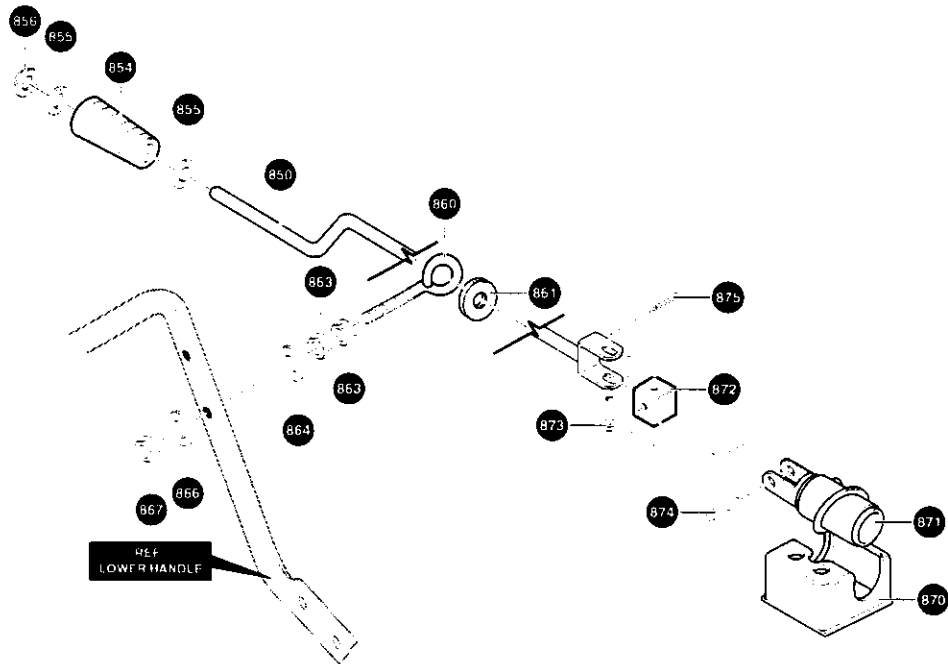
REF NO.	PART NO.	PART NAME
740	5154015-79	CABLE, CLUTCH 28.44LG
741	5337615-90	CABLE, AUGER 27.0
743	5335798-69	SPRING, TENSION
744	5154016-73	SPRING, AUGER CLUTCH
745	5330710-35	NUT, 1/4-20 REGHXCTRLK
750	5333395-41	HANDLE, LOWER
751	5331800-79	SCREW, 5/16-18X1.00
752	8100405-00	WASHER
753	8736805-00	NUT, 5/16-18 REGHEX
754	5333094-36	PUSHNUT, 5/16
755	5333374-07	BRACKET, GEAR SEL.
756	5154067-51	SCREW, 5/16-18X2.00
757	5333003-03	SCREW, PLASTIC

SHIFT YOKE ASSEMBLY



REF NO.	PART NO.	PART NAME
790	5333367-02	ROD, SHIFT
791	5331800-20	SCREW, 1/4-20X.75
792	5330738-26	NUT, 1/4-20 RGHXCTRLK
796	5333316-24	KNOB
800	5337605-64	LEVER, SPRING
801	5331800-20	SCREW, 1/4-20X.75
802	5330738-26	NUT, 1/4-20 RGHXCTRLK
811	5335799-44	BEARING, FLANGE
812	5335817-95	ROD, ASSY YOKE
813	5330711-11	NUT, 3/8-16 RGHXCTRLK

CHUTE CRANK ASSEMBLY



REF NO.	PART NO.	PART NAME
850	5335854-26	CRANK, ASSY
854	5154514-43	KNOB, SLEEVE
855	5330710-72	WASHER, FLAT .406X .81X.065
856	5330736-64	NUT, PUSH ON 3/8"
860	5335816-18	BOLT, EYE
861	5330001-48	GROMMET, EYE BOLT
863	5154710-45	NUT, 3/8-16
864	5330710-72	WASHER, FLAT .406X .81X.065

REF NO.	PART NO.	PART NAME
866	5330710-72	WASHER, FLAT .406X .81X.065
867	8736806-00	NUT, 3/8-16
870	5335851-95	BRKT, WORM
871	5335851-96	WORM, GEAR CHUTE
872	5335780-63	BLOCK, UNIV PIV
873	5335783-09	PIN, CLEVIS
874	5335780-60	PIN, UNIV JOINT
875	5335794-93	PIN, COTTER